



Dome Illuminations

MDML Series



Explanation of Model Code

MDQL-C

Emitted Color External Dimensions

R Red **B** Blue
G Green **W** White

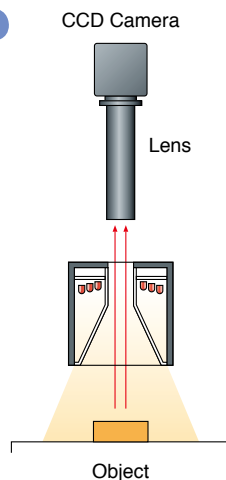
- Illuminates the surface of an object evenly by reflecting inbound light from the lower part of the dome onto the entire dome from 360°.
- For large dome, a simulated coaxial box has been placed on the upper part of the dome and a low angle ring has been placed on the lower part of the dome to meet any lighting need.

Dome Illuminations

Model	Emitted Color	Maximum Related Current IFM (A)					Internal Diameter of Dome (mm)	External Diameter of Dome (mm)	Weight (g)	Product Code
		Total	Coaxial Area	Light Transmittance Area	Reflective Area	Low Angle				
MDML-CR50	● Red	0.24					φ 11	φ 50	130	A-2265
★ MDML-CG50	● Green	0.37					φ 11	φ 50	130	A-2268
MDML-CB50	● Blue	0.37					φ 11	φ 50	130	A-2267
MDML-CW50	○ White	0.37					φ 11	φ 50	130	A-2266
MDML-CR94	● Red	0.80					φ 16	φ 94	530	A-2290
★ MDML-CG94	● Green	1.19					φ 16	φ 94	530	A-2291
MDML-CB94	● Blue	1.19					φ 16	φ 94	530	A-2292
MDML-CW94	○ White	1.19					φ 16	φ 94	530	A-2293
MDML-CR156	● Red	1.16	0.16	0.36	0.32	0.32	φ 26	φ 156	1600	A-2172
★ MDML-CG156	● Green	1.86	0.31	0.55	0.50	0.50	φ 26	φ 156	1600	A-2184
MDML-CB156	● Blue	1.86	0.31	0.55	0.50	0.50	φ 26	φ 156	1600	A-2171
MDML-CW156	○ White	1.86	0.31	0.55	0.50	0.50	φ 26	φ 156	1600	A-2173

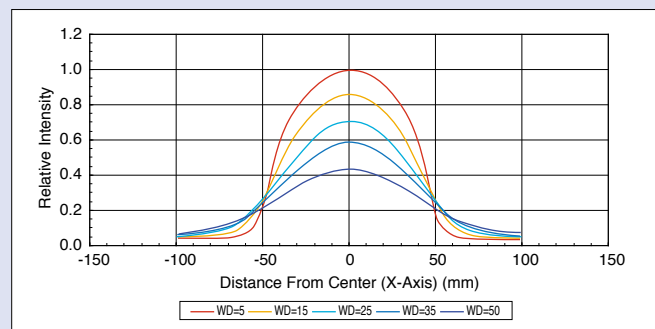
★Made-to-order products.

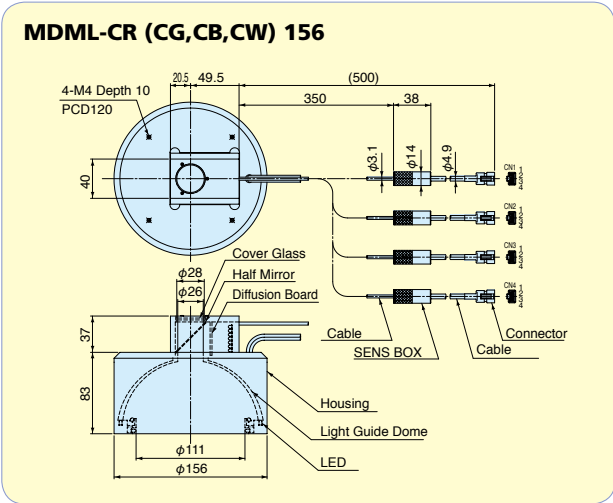
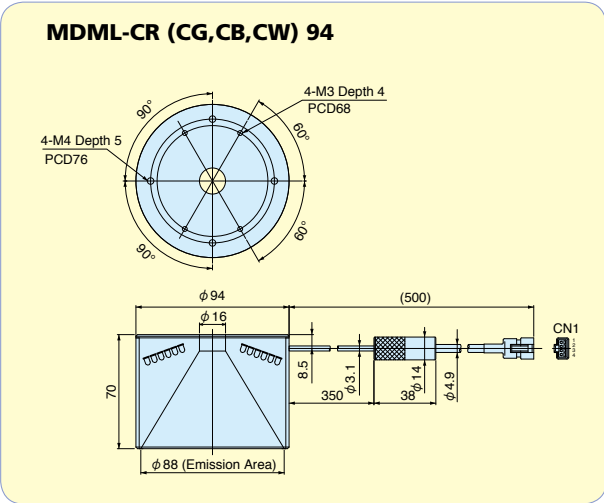
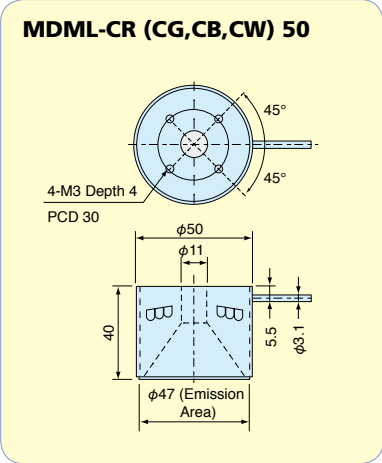
Illumination Structure



Light Distribution Characteristic

MDML-CW94





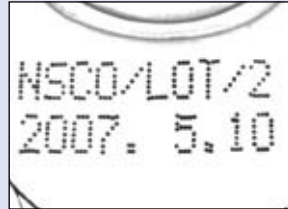
Sample Images

Can cover: It is difficult to recognize the characters under direct ring illumination because of the vignetting of the element and the slope, but clear under dome illumination because of illumination in all directions.

Direct Ring (MDRL-CW31)



Image with The Dome Light (MDML-CR156)



Direct Ring (MDRL-CW31)



Mobile phone push button marking: Characters and shapes are unclear because of LED element vignetting.

Characters and shapes are clear in all directions with no LED element vignetting.